

LED UFO High Bay

INSTALLATION INSTRUCTIONS

- Thank you for purchasing our UFO Highbay. Please read the below articles carefully to see how to use this product safely.
- Warning contents and attention contents related to product safety use, please be sure to follow it.

⚠ Warning

- This UFO High bay within the input voltage range: AC100-277V , 50/60Hz.
- If input voltage exceeds this range, it may cause tube failure. Please be sure to operate under correct input voltage.
- Ensure ambient operating temperature of - 22°F(30°C) through 122°F(50°C).
- Using this UFO High bay in temperatures outside of this range will reduce the UFO High bay lifespan.
- Make sure to turn off power before starting the installation process.

⚠ Attention

- IP rating: IP65, can work under wet locations.
- Please keep the UFO High bay away from any corrosive substance. When you clean it, please use damp or dry cloth.

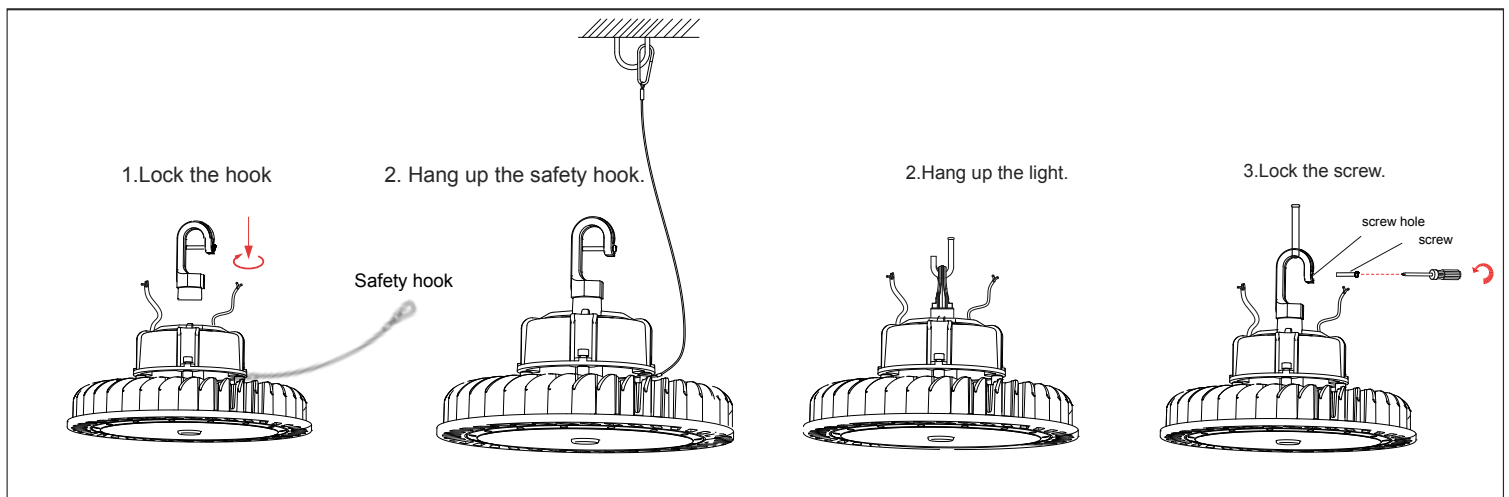
Model	KLHB100WCS	KLHB150WCS	KLHB200WCS	KLHB240WCS
Power	100W	150W	200W	240W
Input Current	1.1A	1.65A	2.2A	2.75A
Input Voltage	AC100-277V			
Frequency	50/60Hz			

Thoroughly inspect the fixture for freight damage. Freight damage should be reported to the delivery carrier.

The Installation must be carried out by a qualified electrician.

Installation Instruction

1. Hook type:

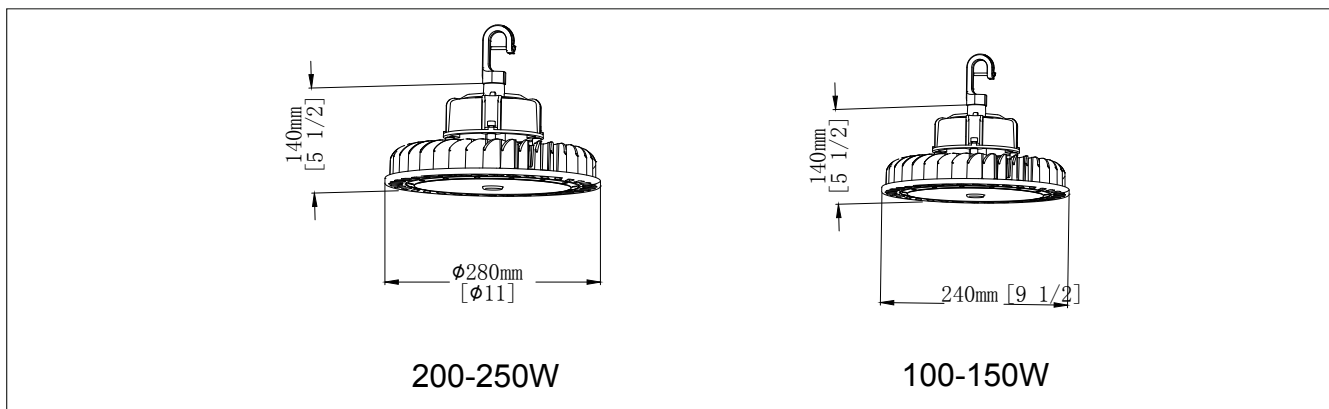


LED UFO High Bay

INSTALLATION INSTRUCTIONS

Product Dimension

1. Hook type:



Wiring Connection

Turn off the power, connect AC wire. black wire to L, white wire to N, and green wire to E.
Dimmer connection (With dimmable driver.)

1. Compatible with 0-10V Dimming
2. Connect wires as below, purple wire is D +, gray wire is D -, cap black wire.

